

SRB Servo Electric Actuators



High force electric actuators to replace hydraulic or pneumatic cylinders

SRB Series Servo Electric Actuators

Main Features

- High precision, high speed, low noise
- Screw anti-rotational function ensures precise position & control
- High performance, long working life, low maintenance costs
- Thrust range from 6kgs to 5,000kgs; max. stroke length up to 1000mm
- Flexible with a range of servo motors, stepper motors or AC/DC motors options
- Multiple mounting options for flanges and motor installations



* Note: Thrust, stroke length etc. may be customised upon request. Please contact our technical sales team at (+44) 01202 599 922 for more details.

Typical Applications

- Material handling
- Simulators
- Valve control
- machinery processing
- Robots
- Precision machine tools
- Aerospace test equipment
- Injection moulding machine
- Automotive manufacturing

Part Number Configuration

SRB32 - L1 - S100 - MRQD - MRW - MRZX - P100W - B

① ② ③ ④ ⑤ ⑥ ⑦ ⑧

① Model name

② Screw lead length

③ Stroke length

④ Installation type
MRQD= front flange
B= Basic type

⑤ Rod end options
MRW = External thread
MRN = Internal thread
MRCX = Clevis rod end
MRQT = Spherical rod end

⑥ Motor mounting

MRZX = In-line motor mounting flange
P10 = 1:1 ratio, reverse parallel mounting
P20 = 2:1 ratio, reverse parallel mounting

⑦ Servo motor flange options

M = Mitshubishi
Y = Yaskawa
P = Panasonic
F = Fuji
T = Delta

⑧ Brake

SRB Series Technical Specifications

Parameters		Models								
		SRB32			SRB50			SRB63		
Screw Diameter	mm	φ8			φ16			Φ20		
Screw Lead Length	mm	1	2	5	10	20	5	10	20	
Rated Dynamic Force	Kg-f	160	85	1,112	839	554	1,484	1,516	764	
	N	1,569	834	10,905	8,228	5,432.9	14,553	14,867	7,492	
Max. Input Speed	rpm	3,000			3,000			3,000		
Max. Operating Speed	mm/s	50	100	250	500	1,000	250	500	1,000	
Matched Motor Power	W	100			400			400 / 750		
Max. Output Force	Kg-f	20			100			300		
	N	196.1			980.7			2,945.0		
Repeatability	mm	±0.02			±0.02			±0.02		
Stroke Length Range	mm	50 - 300			50 - 600			50 - 600		

* Note: Thrust, stroke length etc. may be customised upon request. Please contact our technical sales team at (+44) 01202 599 922 for more details.

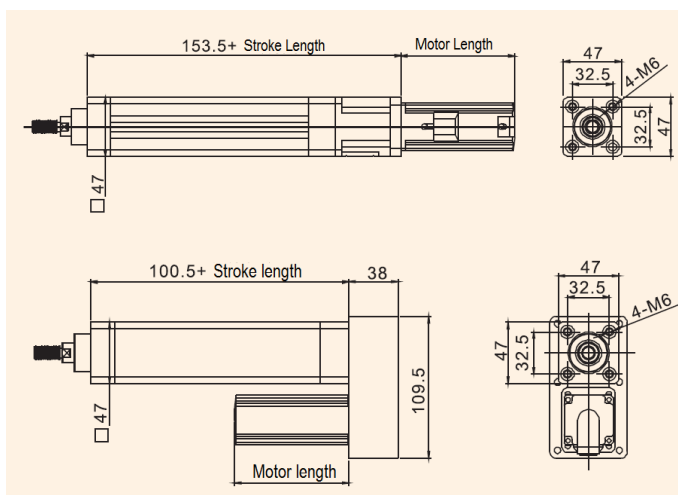
Parameters		Models								
		SRB80			SRB100			SRB120		
Screw Diameter	mm	φ25			φ32			φ40		
Screw Lead Length	mm	5	10	25	5	10	20	5	10	20
Rated Dynamic Force	Kg-f	1,650	1,638	1,232	2,730	4,680	1,901	2,990	5,170	3,859
	N	16,181	16,063	12,082	26,772	45,895	18,642	29,322	50,700	37,844
Max. Input Speed	rpm	3,000			2,000			2,000		
Max. Operating Speed	mm/s	250	500	1,000	167	333	666	167	333	666
Matched Motor Power	W	750 / 1,000			1,000 / 1,500			1,000 / 1,500		
Max. Output Force	Kg-f	800			3,000			5,000		
	N	7,845			29,420			49,033		
Repeatability	mm	±0.02			±0.02			±0.02		
Stroke Length Range	mm	50 - 600			50 - 500			50 - 500		

* Note: Thrust, stroke length etc. may be customised upon request. Please contact our technical sales team at (+44) 01202 599 922 for more details.

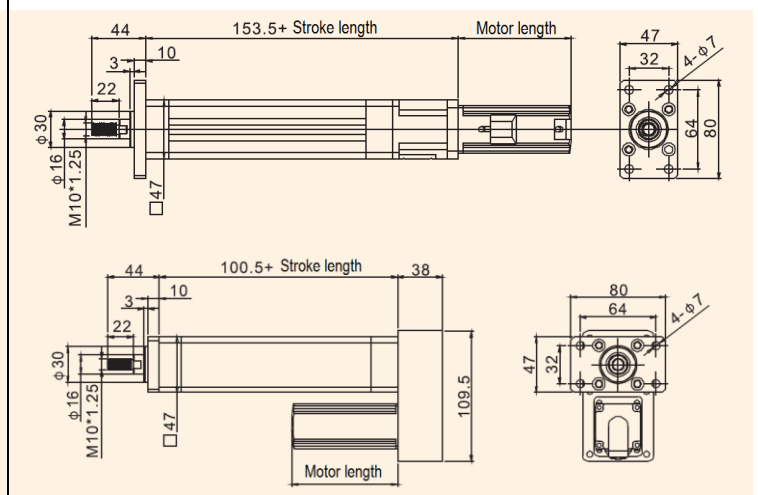
Installation Dimensions (in mm)

SRB32 MODEL

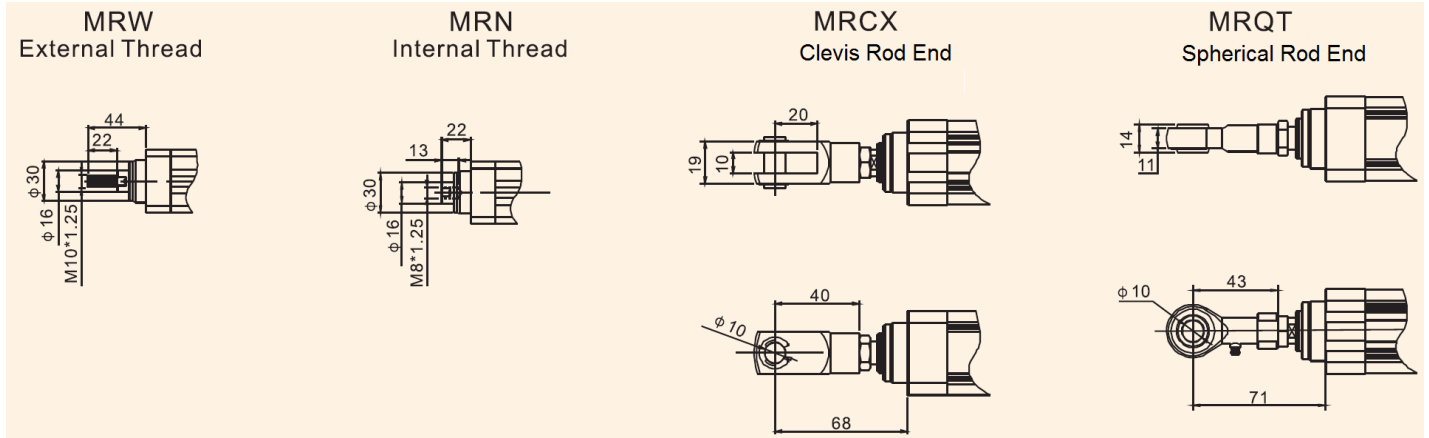
Basic installation



MRQD Front flange installation



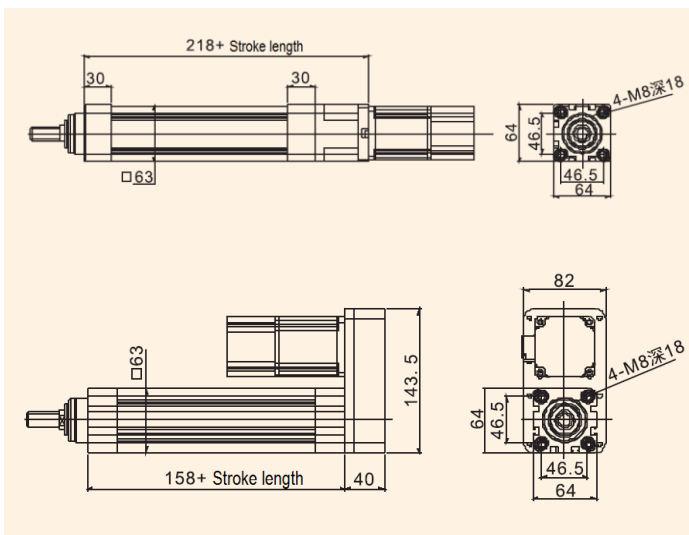
Rod End Options



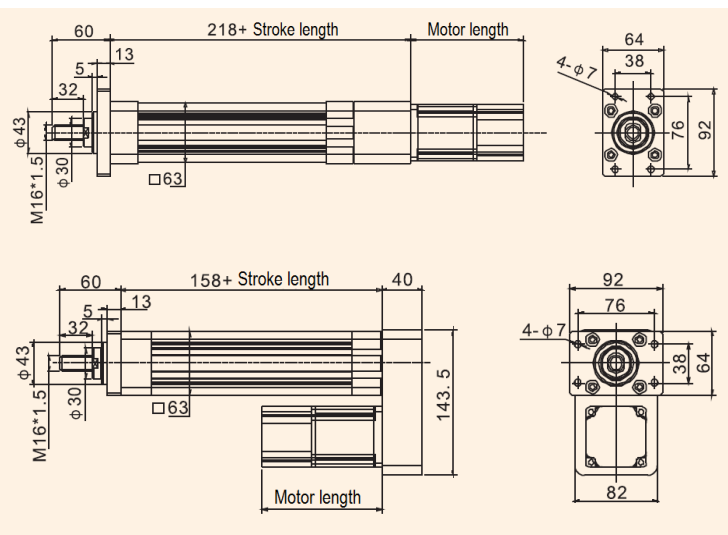
Notes: please contact us for specific model drawings before placing your order

SRB50 MODEL

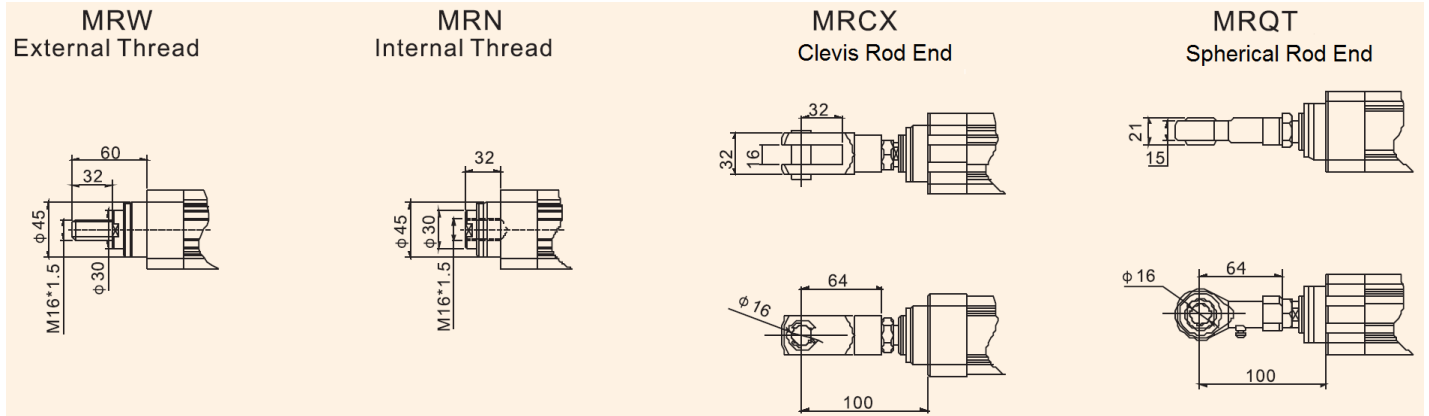
Basic installation



MRQD Front flange installation



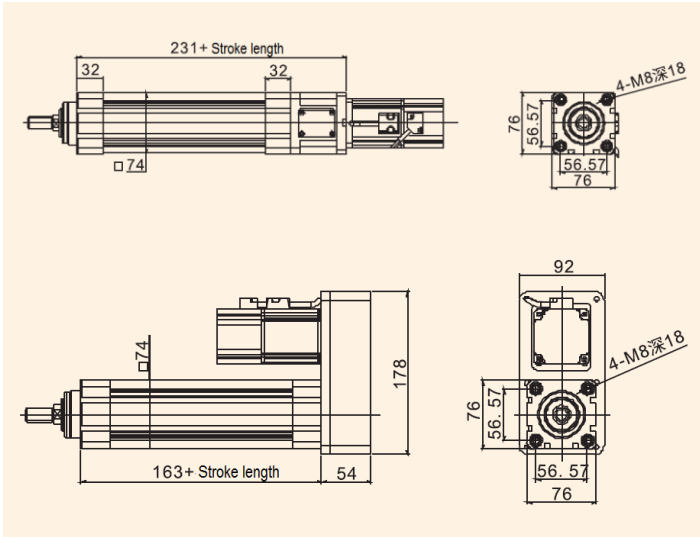
Rod End Options



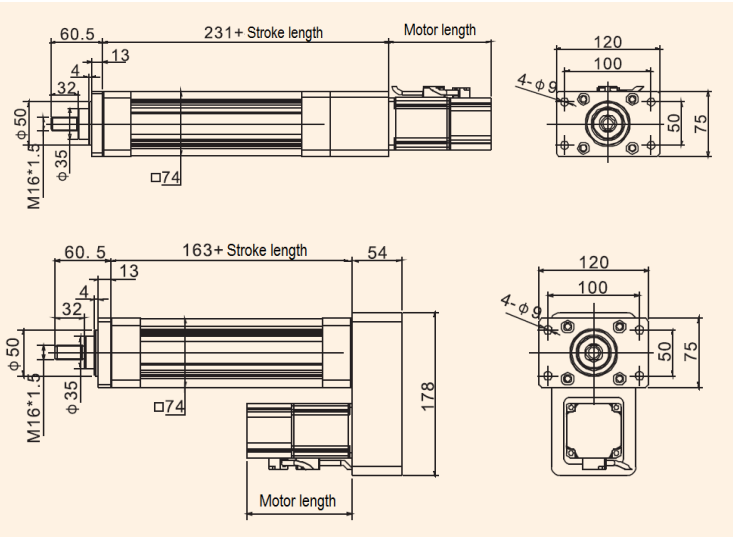
Notes: please contact us for specific model drawings before placing your order

SRB63 MODEL

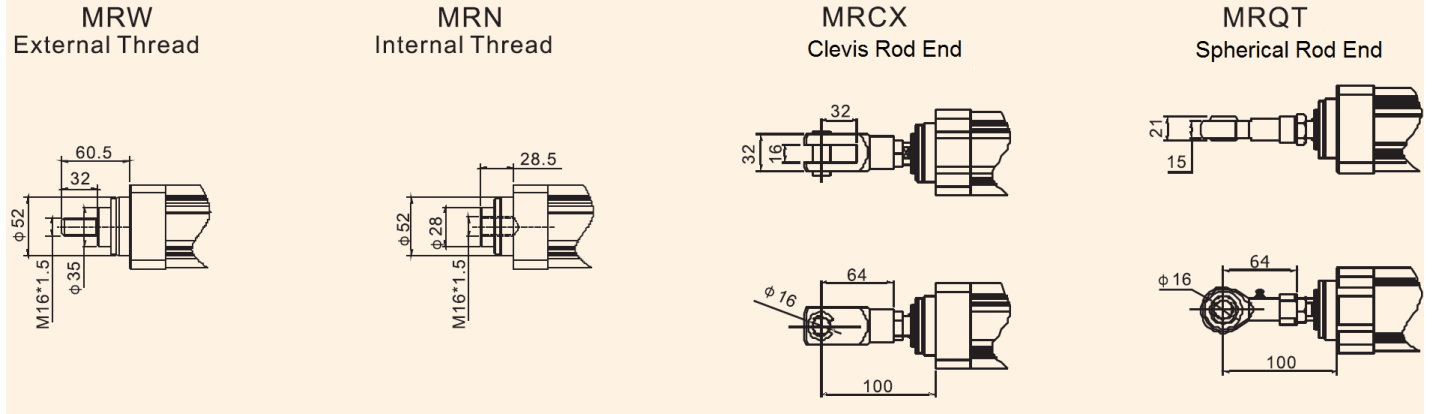
Basic installation



MRQD Front flange installation



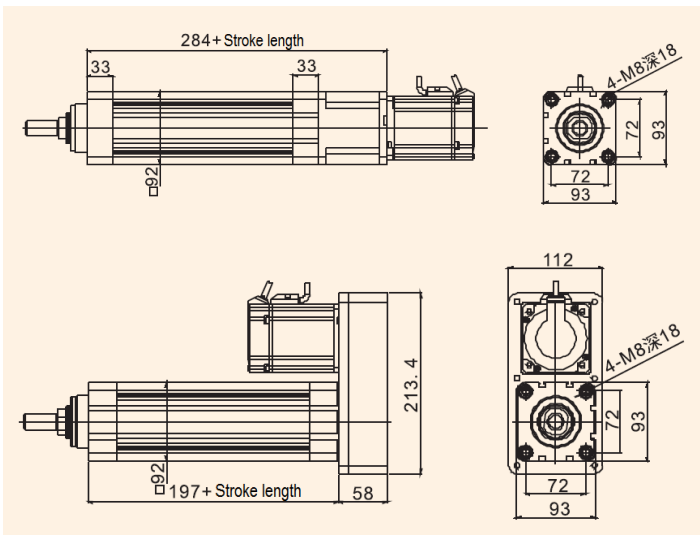
Rod End Options



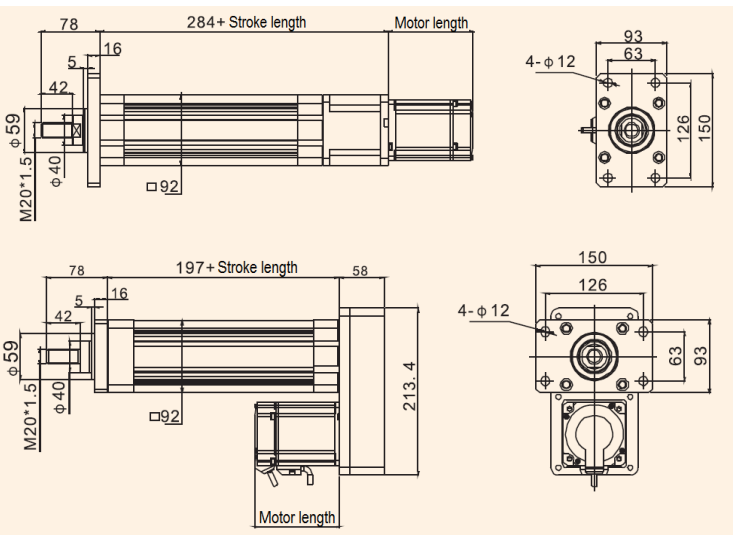
Notes: please contact us for specific model drawings before placing your order

SRB80 MODEL

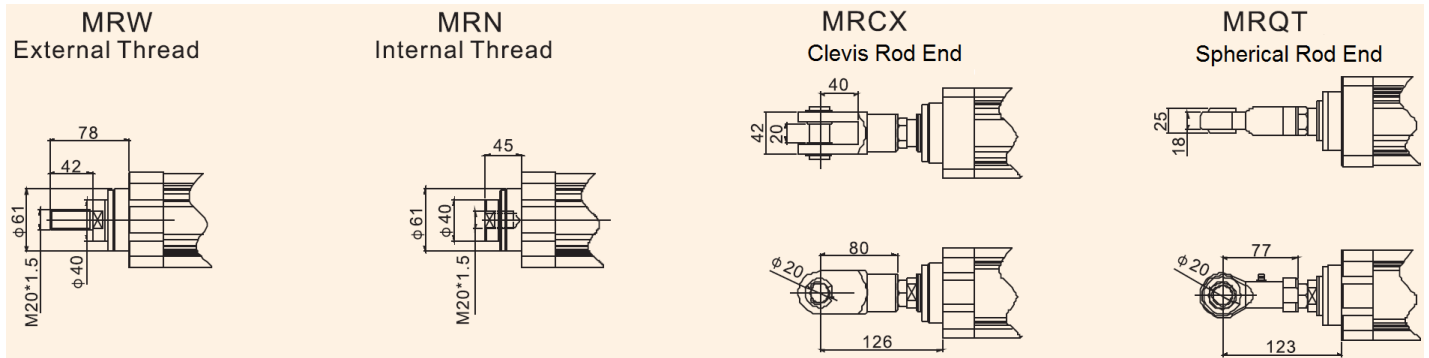
Basic installation



MRQD Front flange installation



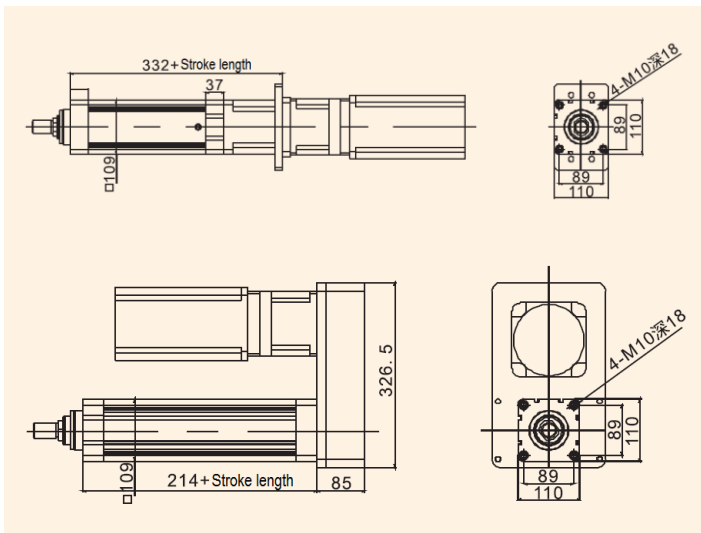
Rod End Options



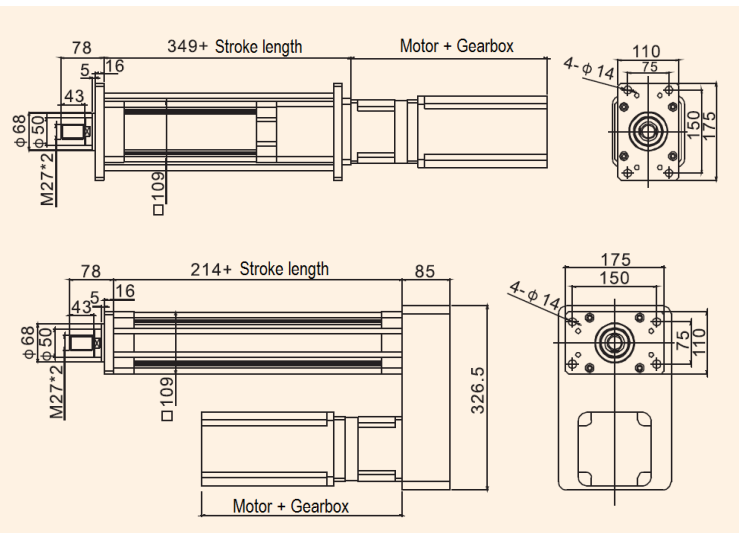
Notes: please contact us for specific model drawings before placing your order

SRB100 MODEL

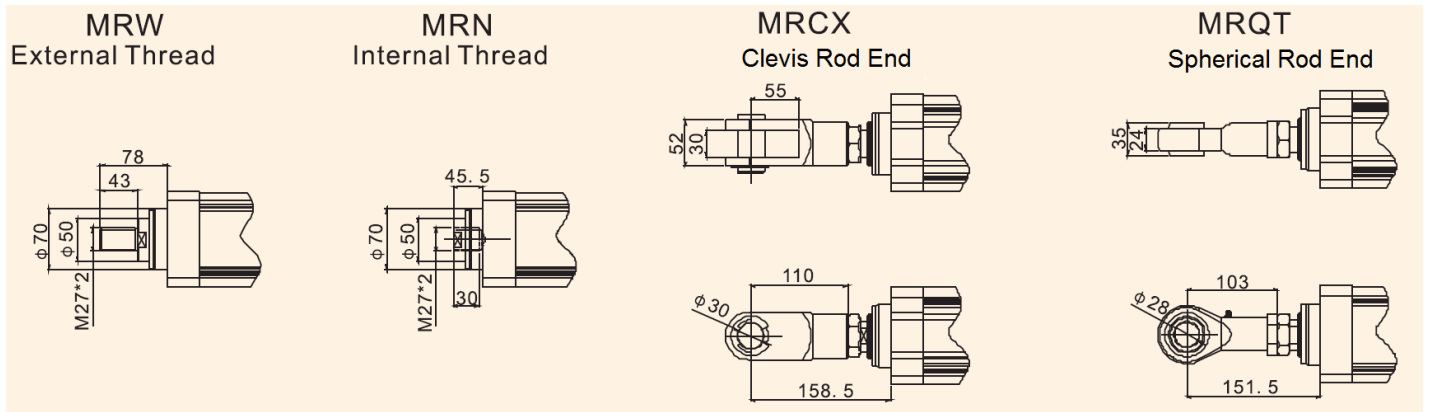
Basic installation



MRQD Front flange installation



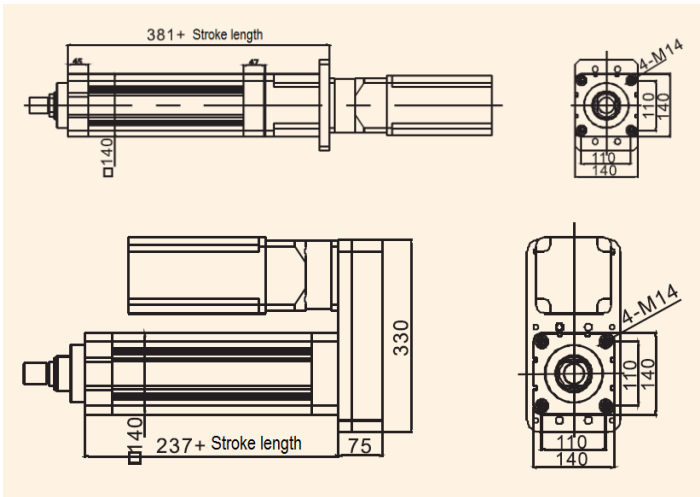
Rod End Options



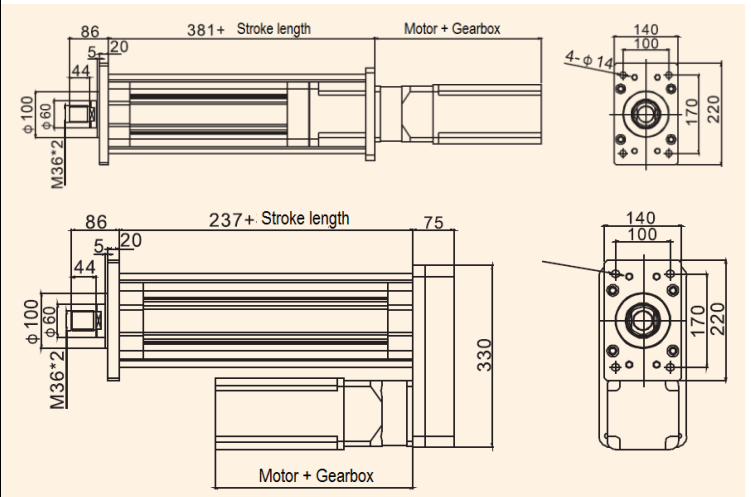
Notes: please contact us for specific model drawings before placing your order

SRB120 MODEL

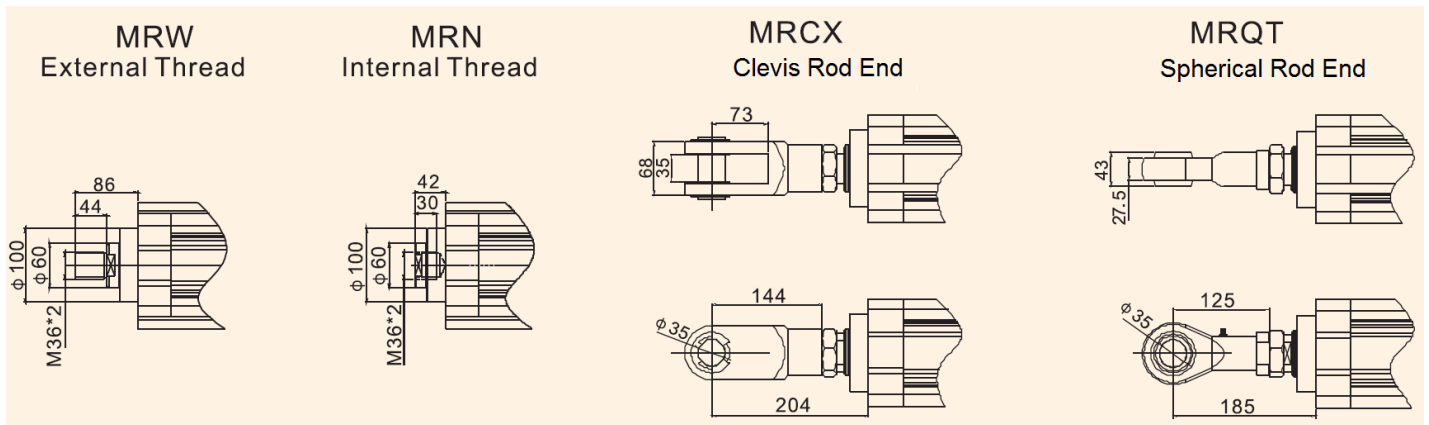
Basic installation



MRQD Front flange installation



Rod End Options



Notes: please contact us for specific model drawings before placing your order

Motion Control Products Ltd

11-15 Francis Avenue

Bournemouth

Dorset, UK, BH11 8NX

TEL.: +44 (0)1202 599922

enquiries@motioncontrolproducts.com

www.motioncontrolproducts.com