



PMDC BRUSHED MOTORS

**With/without
Worm-sheel Gearboxes**

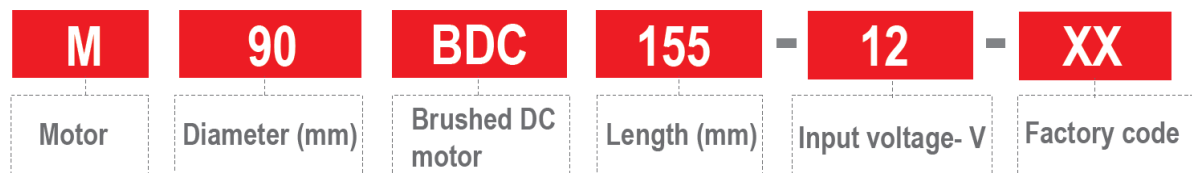


Brushed DC Motors with & without Gearboxes

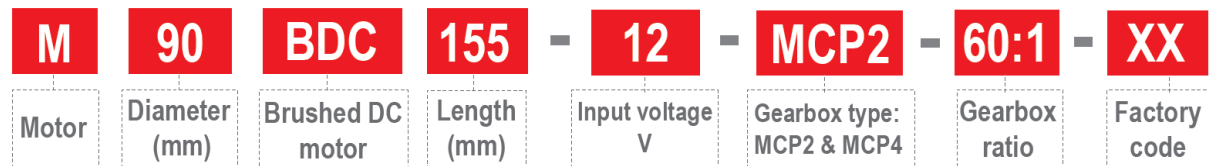


MOTION CONTROL PRODUCTS permanent magnet brushed DC motors are widely used in rotary pumps, AGV's, clay pigeon traps, electric vehicles/caravans, golf carts, hoists, winches and a multitude of other applications.

Breakdown of Brushed DC Motor Part Number:



Breakdown of Brushed Geared DC Motor Part Number:



Customisation Options:

Brake

All permanent magnet brushed dc motors can be supplied with a choice of 12V or 24V parking brake. An optional manual brake release is also available.

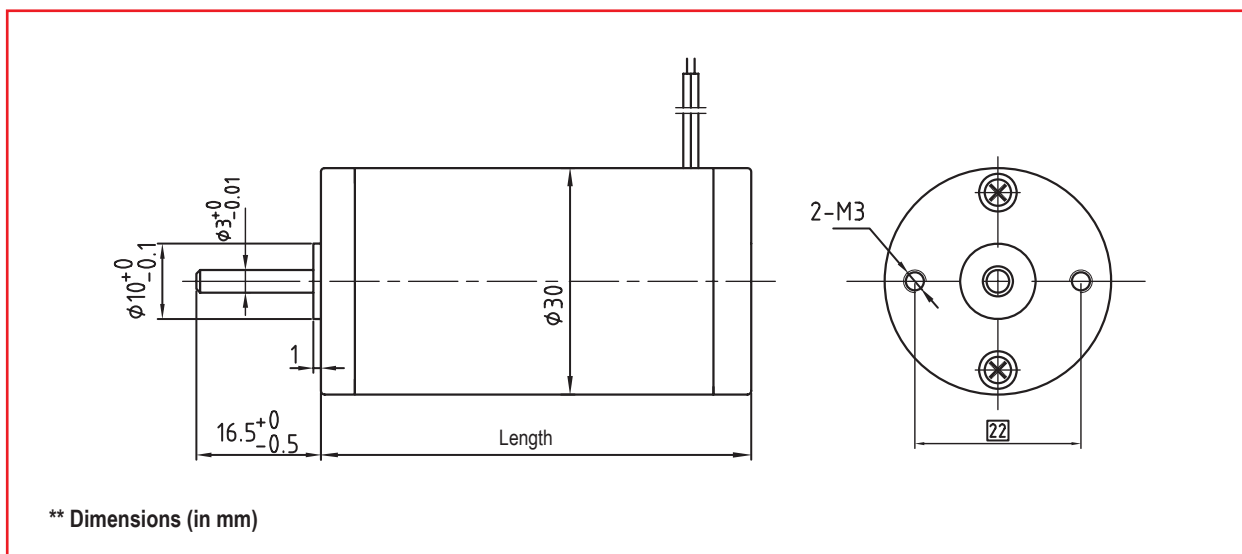
Encoder

MOTION CONTROL PRODUCTS permanent magnet brushed motors can be supplied with a variety of encoder types and resolutions.

All permanent magnet brushed DC motors are available on request with a wide selection of custom shaft configurations.

(*** Each customer request for special shaft, leads, fixings etc. will be allocated a unique product code/identifier.)



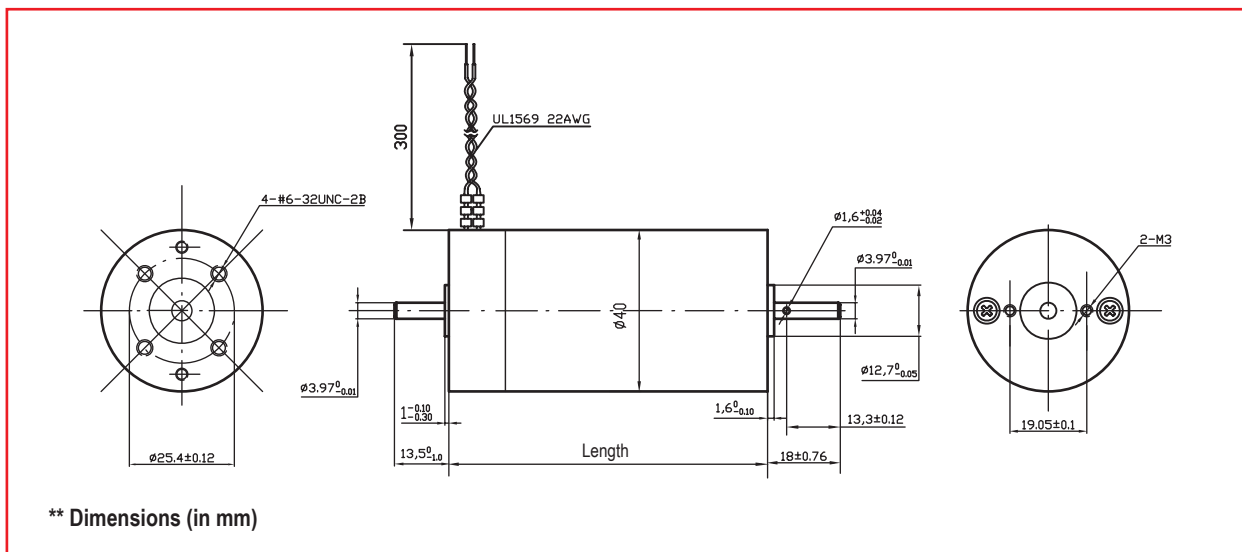


General Specifications

Voltage Range	12 & 24V DC (up to 240V available)	Insulation Class	F (consult us for class B)
Power Output Range	20 to 60 watts	Bearing Type	High quality ball bearings
Speed Range	up to 10,000rpm	Housing Type	Closed (ventilated also available)
Operational Temperature	- 20° C ~ + 40° C		

Model Specifications

Model Part Number	Voltage V	Rated Power W	Rated Speed rpm	Rated Torque mNm	Rated Current A	No Load Speed rpm	Motor Length mm
M30BDC51-12	12	8.17	7100	11	0.79	7900	51
M30BDC51-24	24	8.17	7100	11	0.41	7900	51
M30BDC60-12	12	15.1	7100	16	1.45	10000	60
M30BDC60-24	24	15.1	7100	16	0.73	10000	60

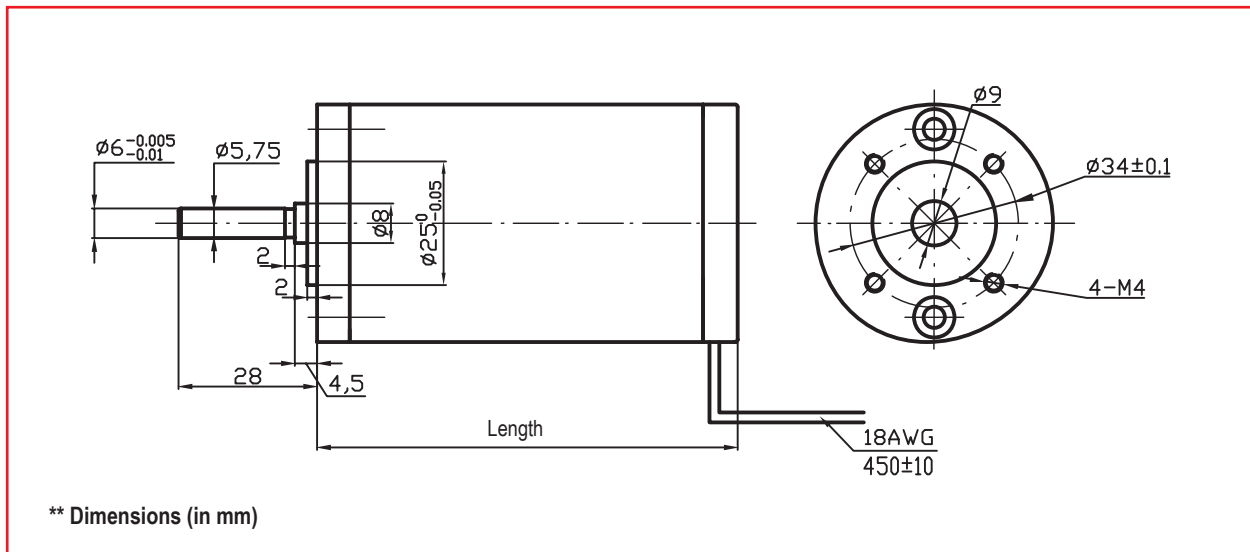


General Specifications

Voltage Range	12 & 24V DC (240V also available)	Insulation Class	F (consult us for class B)
Power Output Range	15 to 40 watts	Bearing Type	High quality ball bearings
Speed Range	up to 10,000rpm	Housing Type	Closed (ventilated also available)
Operational Temperature	-20° C ~ +40° C		

Model Specifications

Model Part Number	Voltage V	Rated Power W	Rated Speed rpm	Rated Torque mNm	Rated Current A	No-Load Speed rpm	Motor Length mm
M40BDC56-12	12	17	4950	33	1.8	6000	56
M40BDC56-24	24	17	4950	33	0.89	6100	56
M40BDC61-12	12	23	5100	43	2.39	6100	61
M40BDC61-24	24	23	5100	43	1.17	6100	61
M40BDC78-12	12	29	5000	67	2.92	5000	78
M40BDC78-24	24	29	4200	67	1.46	5000	78

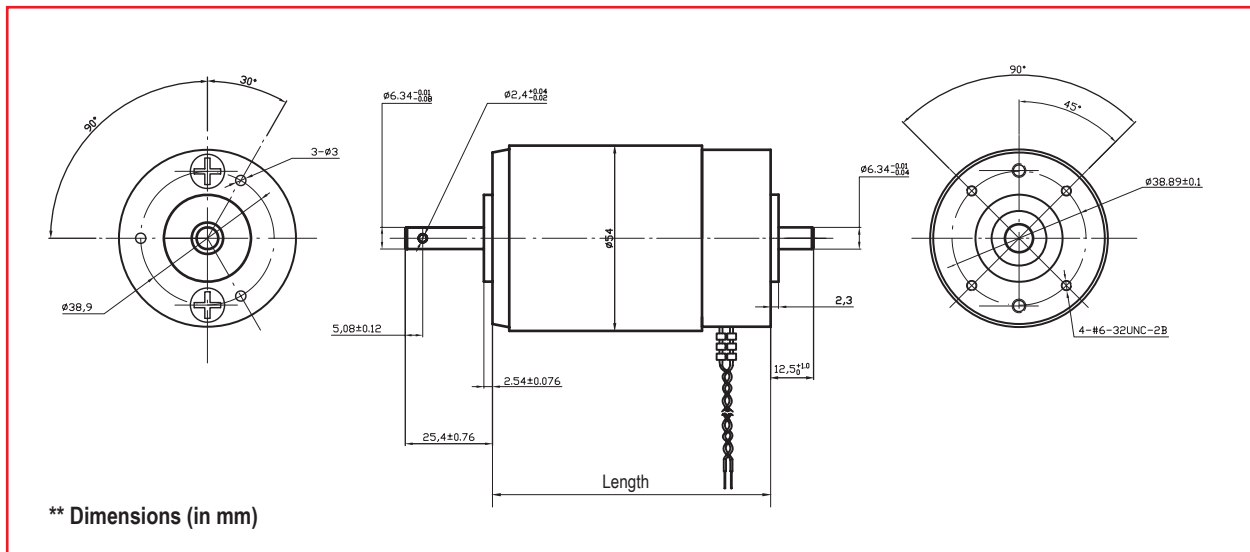


General Specifications

Voltage Range	12 & 24V DC (240V also available)	Insulation Class	F (consult us for class B)
Power Output Range	15 to 40 watts	Bearing Type	High quality ball bearings
Speed Range	up to 10,000rpm	Housing Type	Closed (ventilated also available)
Operational Temperature	- 20° C ~ + 40° C		

Model Specifications

Model Part Number	Voltage V	Rated Power W	Rated Speed rpm	Rated Torque mNm	Rated Current A	No-Load Speed rpm	Motor Length mm
M48BDC85-12	12	25	3500	70	4	3800	85
M48BDC118-24	24	41	3100	125	2.6	3800	118
M48BDC118-40	40	41	3300	125	1.28	3800	118

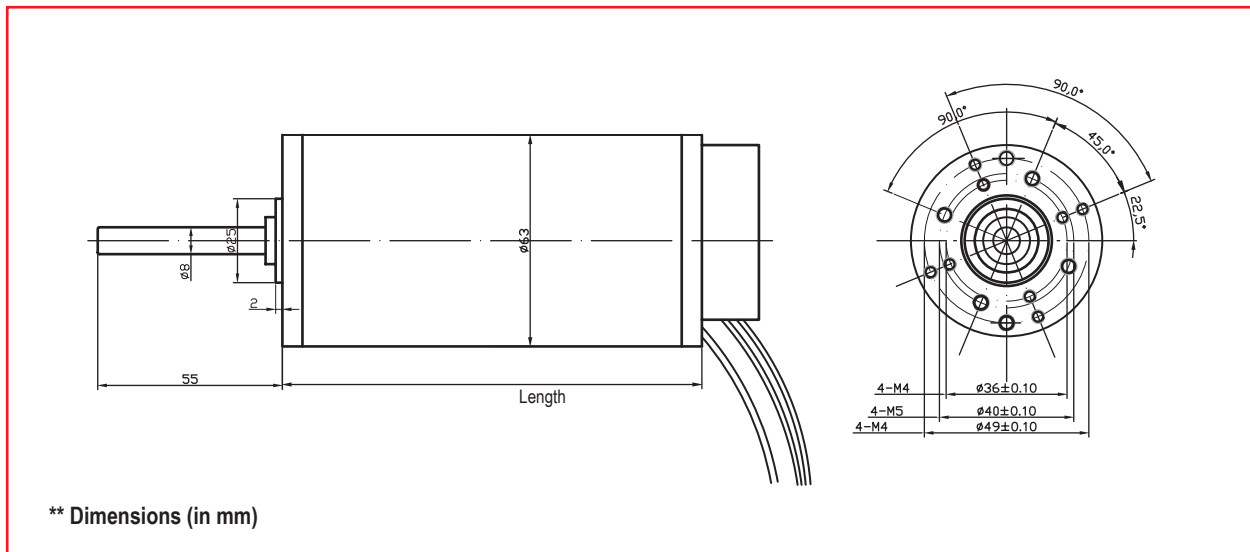


General Specifications

Voltage Range	12 & 24V DC (240V also available)	Insulation Class	F (consult us for class B)
Power Output Range	30 to 100 watts	Bearing Type	High quality ball bearings
Speed Range	Up to 10,000rpm	Housing Type	Closed (ventilated also available)
Operational Temperature	- 20° C ~ + 40° C		

Model Specifications

Model Part Number	Voltage V	Rated Power W	Rated Speed rpm	Rated Torque mNm	Rated Current A	No-Load Speed rpm	Motor Length mm
M54BDC75-12	12	28.2	3800	71	2.8	4500	75
M54BDC75-24	24	28.2	3800	71	1.4	4500	75
M54BDC94-12	12	46.5	3000	148	4.6	3800	94
M54BDC94-24	24	46.5	3000	148	2.3	3800	94
M54BDC103-12	12	65.5	3400	184	6.2	4000	103
M54BDC103-24	24	65.5	3400	184	3.1	4000	103

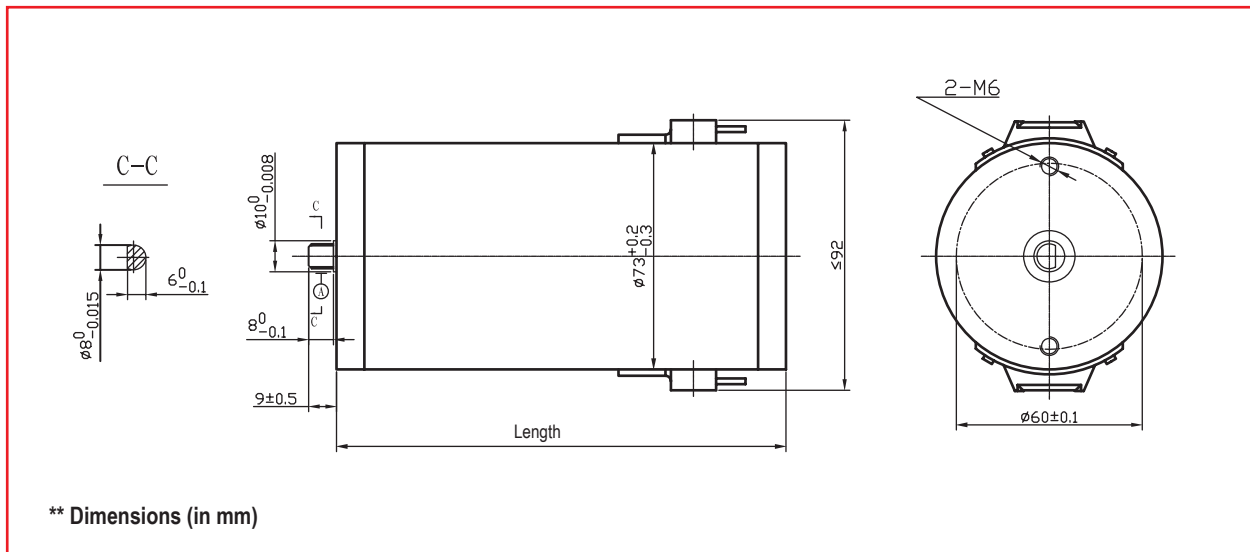


General Specifications

Voltage Range	12 & 24V DC (240V also available)	Insulation Class	F (consult us for class B)
Power Output Range	40 to 100 watts	Bearing Type	High quality ball bearings
Speed Range	Up to 10,000rpm	Housing Type	Closed (ventilated also available)
Operational Temperature	- 20° C ~ + 40° C		

Model Specifications

Model Part Number	Voltage V	Rated Power W	Rated Speed rpm	Rated Torque mNm	Rated Current A	No-Load Speed rpm	Motor Length mm
M63BDC95-12	12	44.5	3100	137	5.2	3600	95
M63BDC95-24	24	48.4	3300	140	2.7	3600	95
M63BDC95-40	40	48.7	3500	133	1.7	3800	95
M63BDC125-12	12	75.4	3000	240	8.7	3500	125
M63BDC125-24	24	94.7	3350	270	4.9	3650	125
M63BDC125-40	40	97.5	3450	270	3	3600	125

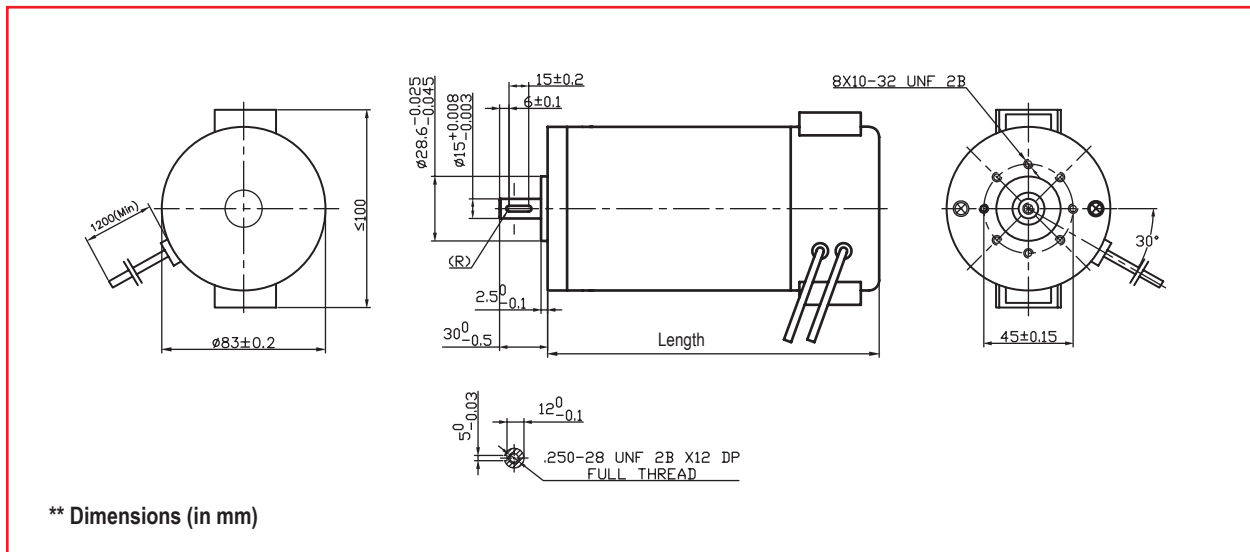


General Specifications

Voltage Range	12 & 24V DC (48V also available)	Insulation Class	F (consult us for class B)
Power Output Range	90 to 150 watts	Bearing Type	Deep groove ball bearings
Speed Range	Up to 9,000rpm	Housing Type	Closed (ventilated also available)
Operational Temperature	- 20° C ~ + 40° C		

Model Specifications

Model Part Number	Voltage V	Rated Power W	Rated Speed rpm	Rated Torque mNm	Rated Current A	No-Load Speed rpm	Motor Length mm
M73BDC127-12	12	90	4400	200	11	4900	127
M73BDC127-24	24	100	4700	200	5.5	5200	127
M73BDC145-12	12	120	3700	300	15	4200	145
M73BDC145-24	24	130	3900	300	7.5	4500	145
M73BDC155-12	12	135	3200	400	16.5	3600	155
M73BDC155-24	24	145	3400	400	8.5	3900	155
M73BDC165-12	12	150	3000	500	18	3400	165
M73BDC165-24	24	170	3200	500	9	3600	165

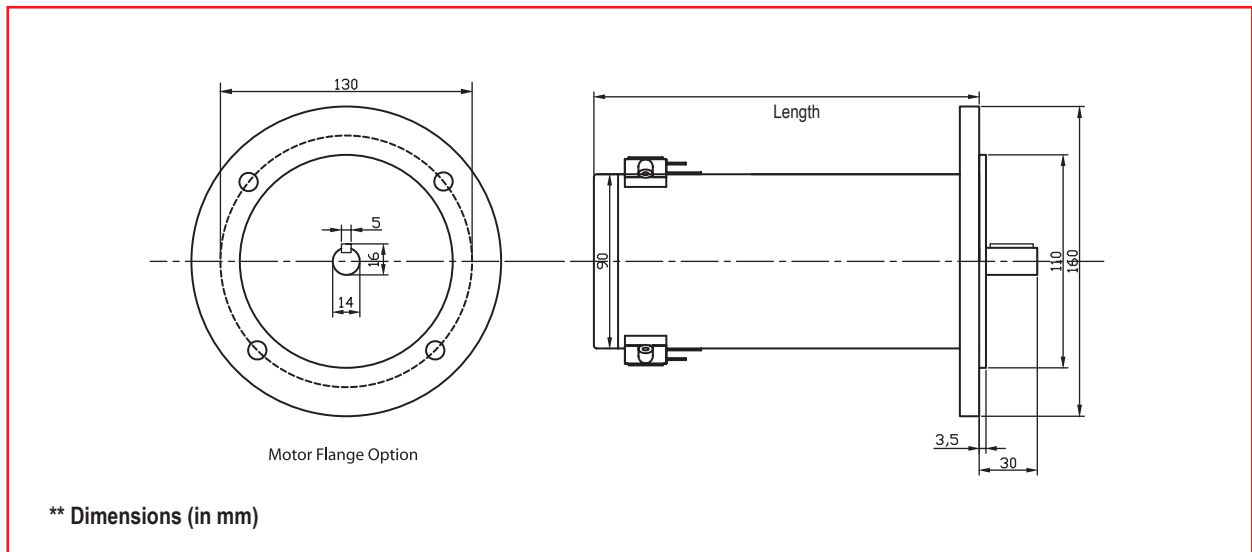


General Specifications

Voltage Range	12 & 24V DC (48V also available)	Insulation Class	F (consult us for class B)
Power Output Range	90 to 150 watts	Bearing Type	Deep groove ball bearings
Speed Range	Up to 9,000rpm	Housing Type	Closed (ventilated also available)
Operational Temperature	- 20° C ~ + 40° C		

Model Specifications

Model Part Number	Voltage V	Rated Power W	Rated Speed rpm	Rated Torque mNm	Rated Current A	No-Load Speed rpm	Motor Length mm
M80BDC135-12	12	106	2900	350	11.5	3200	135
M80BDC135-24	24	106	2900	350	5.8	3200	135
M80BDC135-40	40	128	3500	350	4	3750	135
M80BDC175-12	12	207	3200	620	10	3500	175
M80BDC175-24	24	201	3100	620	6	3500	175
M80BDC175-40	40	221	3350	620	4.2	3650	175

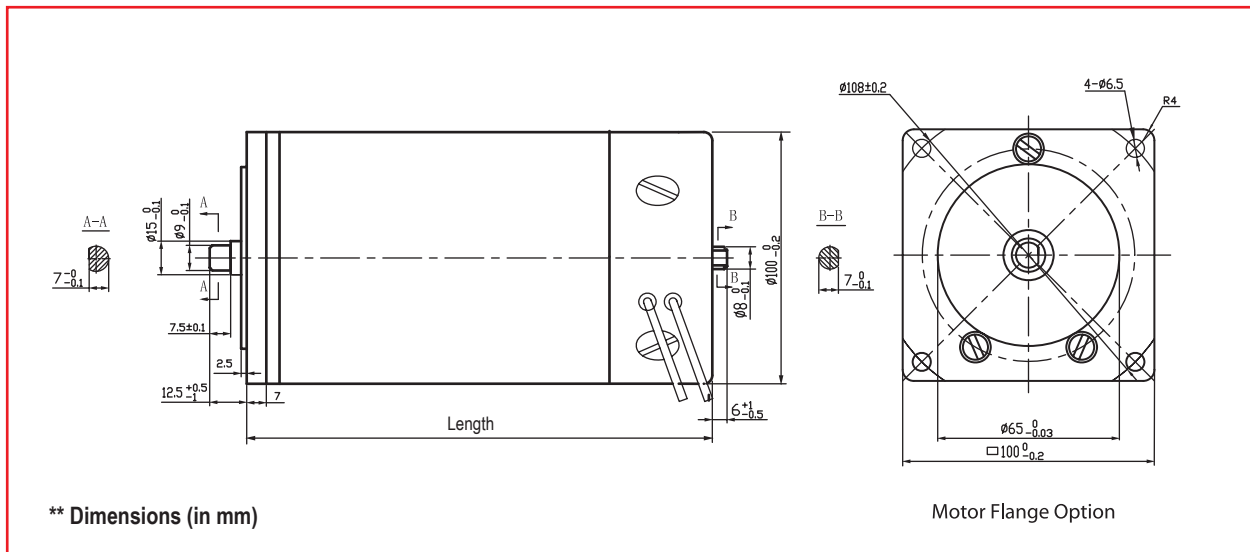


General Specifications

Voltage Range	12 & 24V DC (48V also available)	Insulation Class	F (consult us for class B)
Power Output Range	150 to 300 watts	Bearing Type	Deep groove ball bearings
Speed Range	Up to 9,000rpm	Housing Type	Closed (ventilated also available)
Operational Temperature	- 20° C ~ + 40° C		

Model Specifications

Model Part Number	Voltage V	Rated Power W	Rated Speed rpm	Rated Torque mNm	Rated Current A	No-Load Speed rpm	Motor Length mm
M90BDC155-12	12	250	4750	500	27.8	5540	155
M90BDC155-24	24	250	4750	500	13.8	5100	155
M90BDC199-12	12	200	1980	955	22.2	2700	199
M90BDC199-24	24	200	1980	955	11.2	2700	199

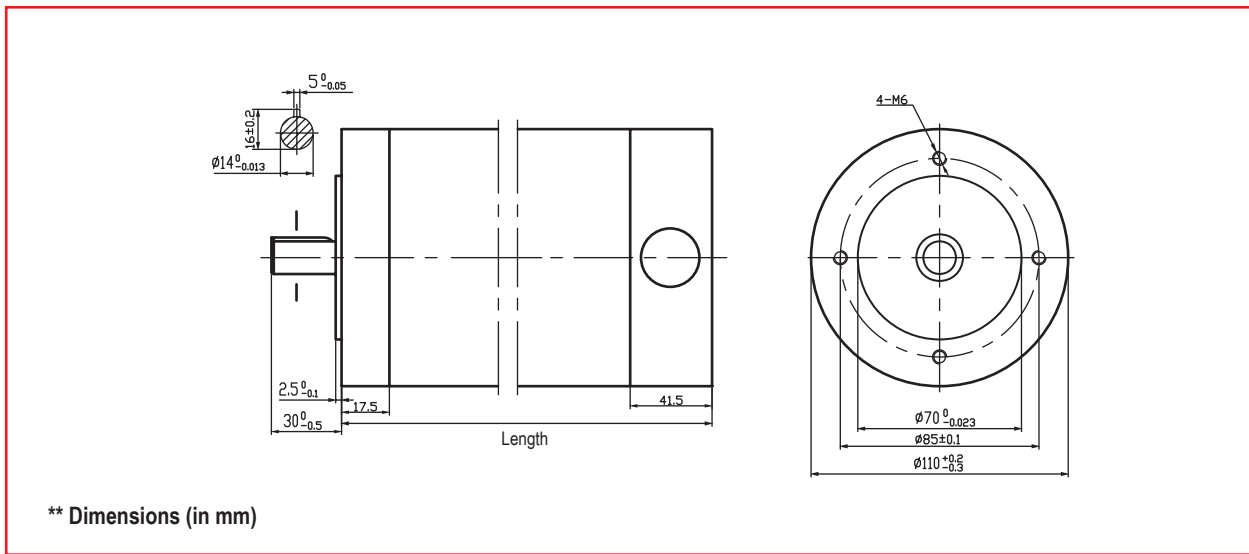


General Specifications

Voltage Range	12 & 24VDC (up to 220V also available)	Insulation Class	F (consult us for class B)
Power Output Range	200 to 400 watts	Bearing Type	Deep groove ball bearings
Speed Range	Up to 9,000rpm	Housing Type	Closed (ventilated also available)
Operational Temperature	- 20° C ~ + 40° C		

Model Specifications

Model Part Number	Voltage V	Rated Power W	Rated Speed rpm	Rated Torque mNm	Rated Current A	No-Load Current A	No-Load Speed rpm	Motor Length mm
M100BDC145-24	24	290	3450	800	15.6	2.3	3920	145
M100BDC165-12	12	197	2350	800	22	3.0	2250	165
M100BDC165-24	24	348	4150	800	20.3	3.5	4660	165
M100BDC200-12	12	188	1500	1200	24.5	3.0	1900	200



General Specifications

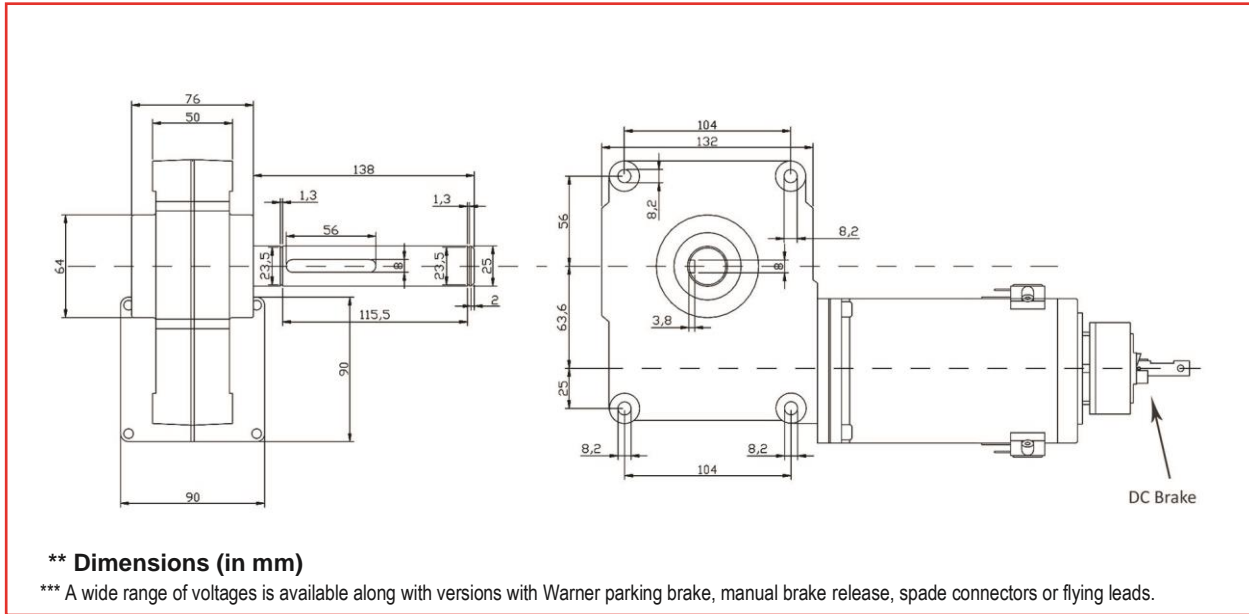
Voltage Range	24VDC (up to 220V also available)	Insulation Class	F (consult us for class B)
Power Output Range	250 to 600 watts	Bearing Type	Deep groove ball bearings
Speed Range	Up to 9,000rpm	Housing Type	Closed (ventilated also available)
Operational Temperature	- 20° C ~ + 40° C		

Model Specifications

Model Part Number	Voltage V	Rated Power W	Rated Speed rpm	Rated Torque mNm	Rated Current A	No-Load Current A	No-Load Speed rpm	Motor Length mm
M110BDC200-12	12	283	2700	1000	34.6	4.9	3270	200
M110BDC200-24	24	514	3070	1600	26	2.6	3350	200
M110BDC200-48	48	553	3300	1600	14.3	2.5	3300	200

MCP2 Worm Wheel

Brushed DC Geared Motor



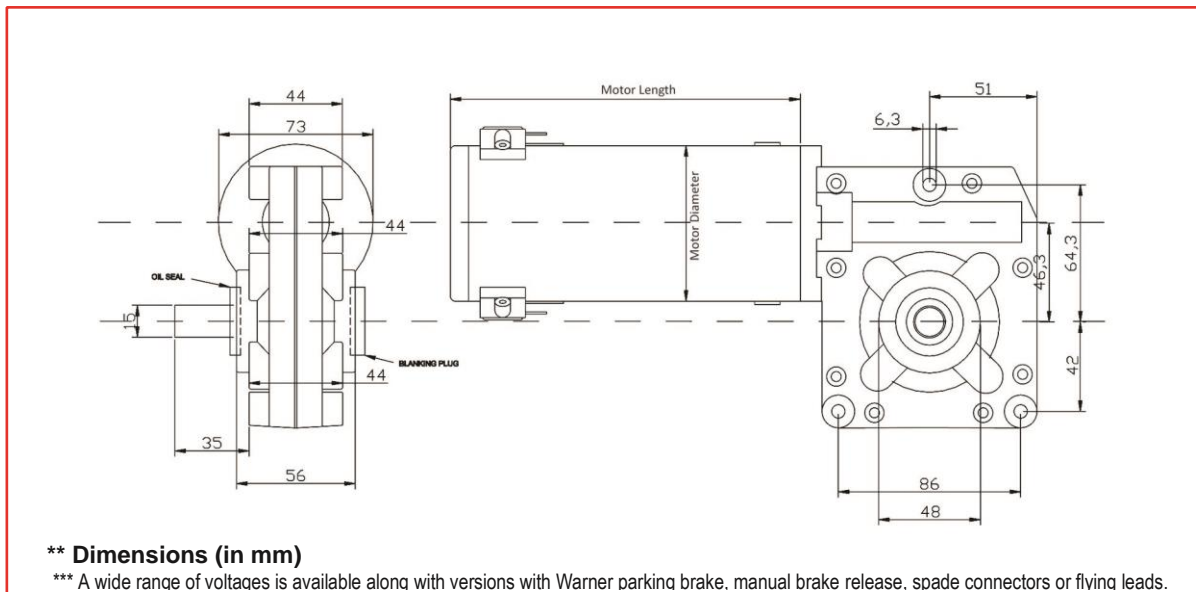
Page
11

General Specifications

Ambient Operating Temperature	- 20°C to + 40°C	Insulation Class	F (consult us for class B)
Worm Gear Material	Bronze, steel or glass-filled plastics	Brush Type	Integral or removable
Lubrication	Grease lubricated & sealed for life	Gearbox Housing	Ruggedised die-cast Aluminium
Gearbox Output Bearing Type	High quality ball bearing		

Model Specifications

Motor Model	Worm Wheel Material	Gear Ratio	Warner Brake Type	Output Shaft Type
M90BDC, M100BDC, M110BDC	Delrin, Bronze	25:1	ERB, MRB	Customised
M90BDC, M100BDC, M110BDC	Delrin, Bronze	30:1	ERB, MRB	Customised
M90BDC, M100BDC, M110BDC	Delrin, Bronze	60:1	ERB, MRB	Customised
M90BDC, M100BDC, M110BDC	Bronze	75:1	ERB, MRB	Customised



General Specifications

Ambient Operating Temperature	-20°C to +40°C	Insulation Class	F (consult us for class B)
Worm Gear Material	Bronze, steel or glass-filled plastics	Brush Type	Integral or removable
Lubrication	Grease lubricated & sealed for life	Gearbox Housing	Ruggedised die-cast Aluminium
Gearbox Output Bearing Type	High quality ball bearing		

Model Specifications

Motor Model	Worm Wheel Material	Gear Ratio	Warner Brake Type	Output Shaft Type
M63BDC, M73BDC, M80BDC, M90BDC	Delrin, Bronze	12.5:1	ERB, MRB	Customised
M63BDC, M73BDC, M80BDC, M90BDC	Delrin, Bronze	25:1	ERB, MRB	Customised
M63BDC, M73BDC, M80BDC, M90BDC	Delrin, Bronze	30:1	ERB, MRB	Customised
M63BDC, M73BDC, M80BDC, M90BDC	Delrin, Bronze	50:1	ERB, MRB	Customised



Motion Control Products Ltd
11-15 Francis Avenue
Bournemouth
Dorset, UK, BH11 8NX
Tel.: +44 (0)1202 599922
enquiries@motioncontrolproducts.com
www.motioncontrolproducts.com



*Copyright © 2022 Motion Control Products Ltd.
All rights reserved. All data subject to change
without notice in advance.*