

Power By

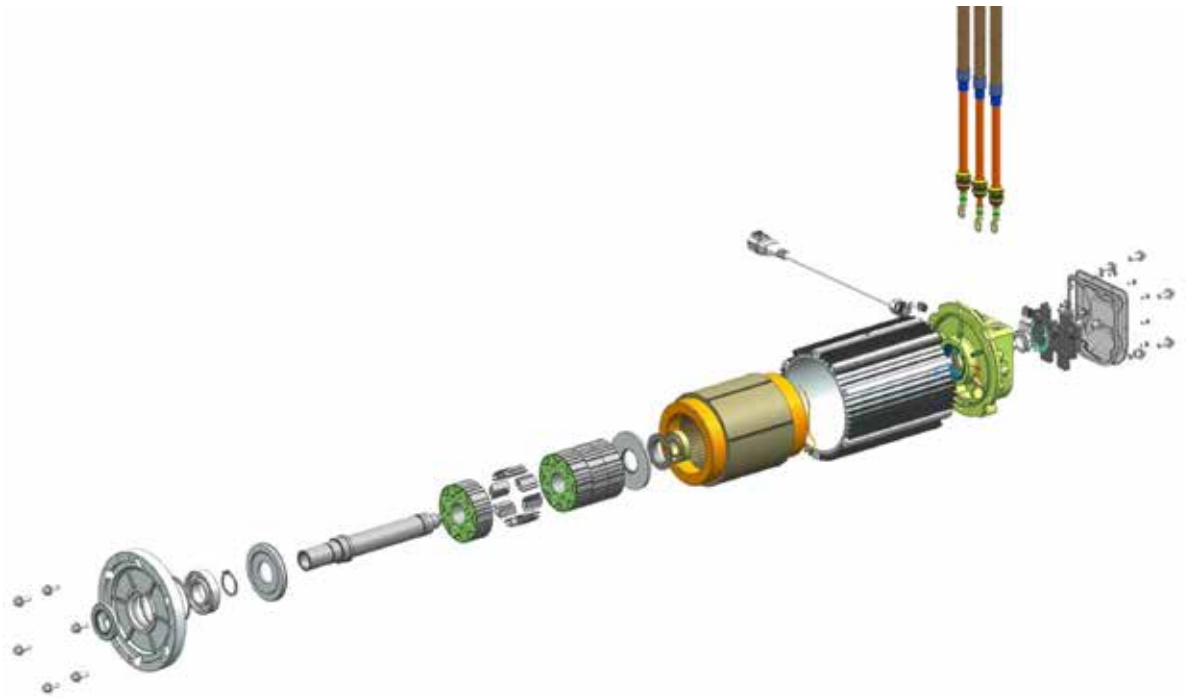
# DINGS

Precision Motion Specialist

**MOTION**  
CONTROL PRODUCTS

## HIGH PERFORMANCE EV MOTOR POWERTRAIN





## CONTENTS

### ■ Natural Air Cooling Motor & Controller

Low voltage platform

Medium and high voltage platform

### ■ Interface Information

Electrical machinery motor

Controller

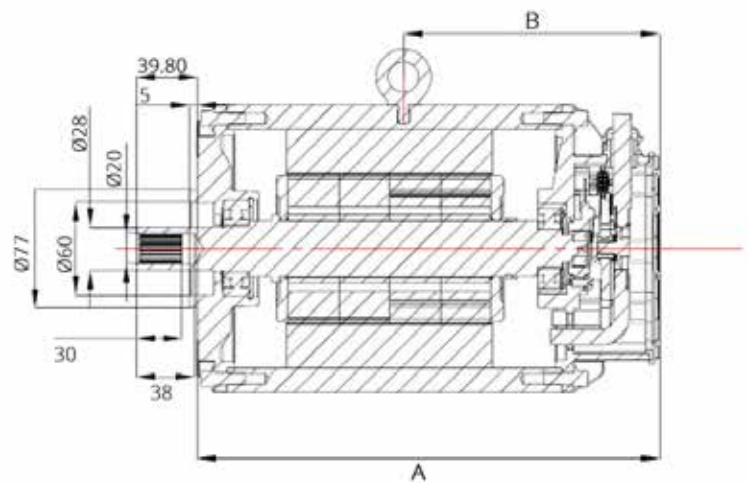
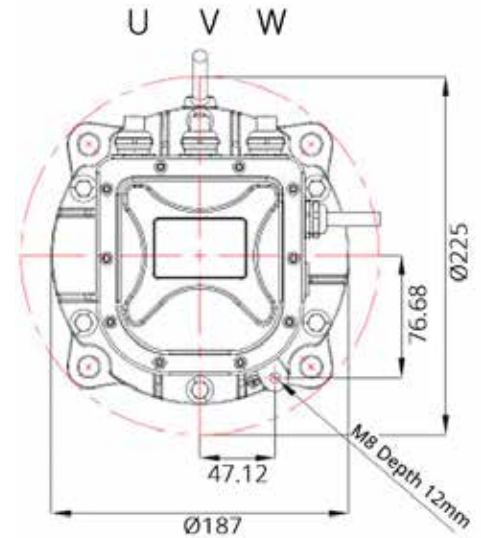
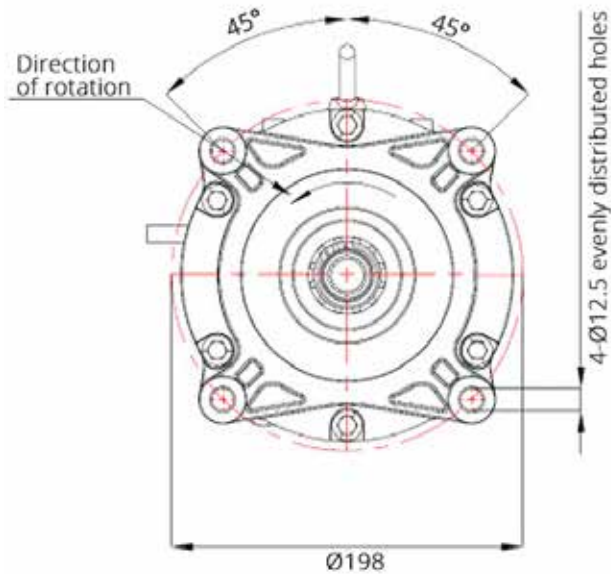
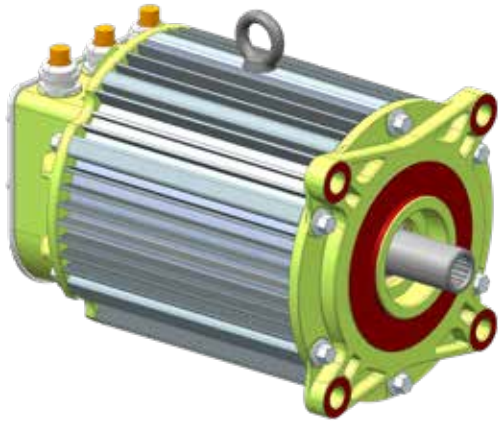
### ■ Water Cooling Motor & Controller

Medium and high voltage platform



# Natural Air Cooling Motor

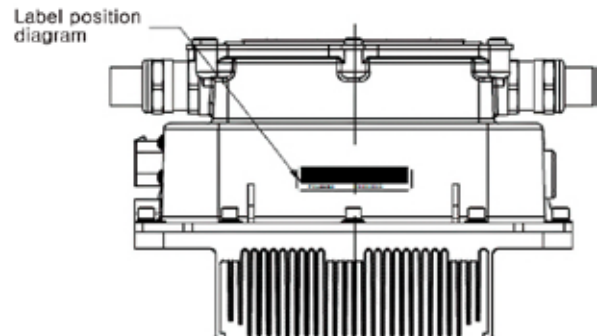
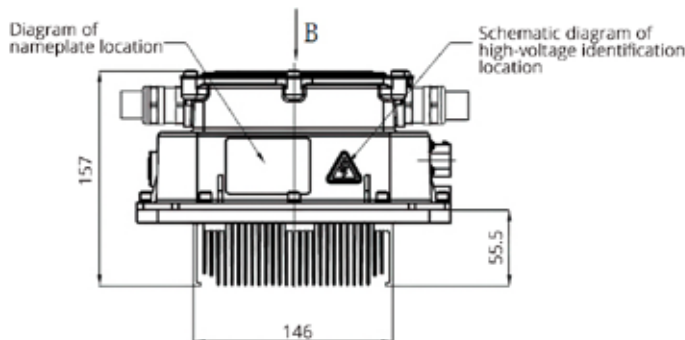
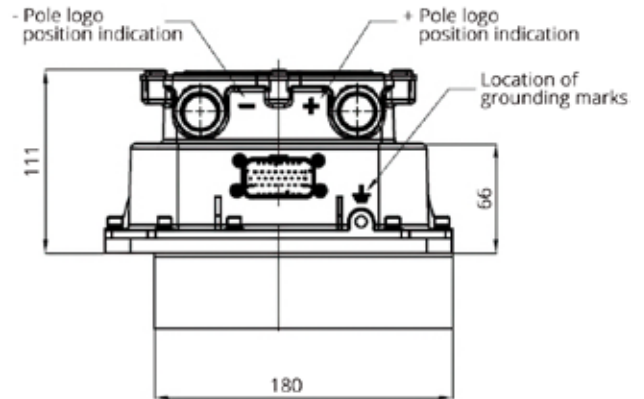
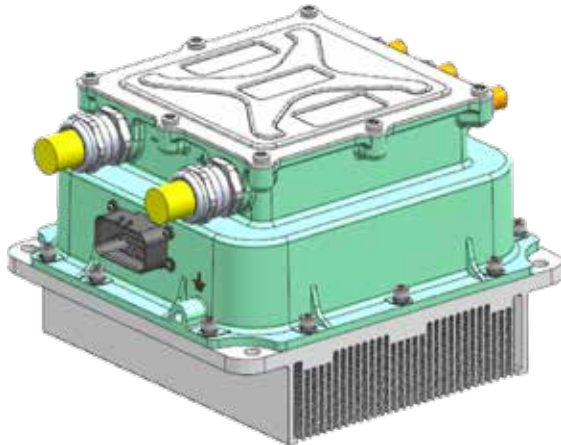
Low voltage platform (72V, 96V, 115V)



Voltage (V)	Peak Power (kW)	Peak Torque (Nm)	Rated Power (kW)	Rated Torque (Nm)	Max. Speed (RPM)	Size (mm)	
						A	B
72	8	60	4	14	7500	231	137
72	20	95	10	28	7000	265	147
96	20	95	10	25	7500	265	147
115	30	110	15	30	8500	302	167

# Natural Air Cooling Motor Controller

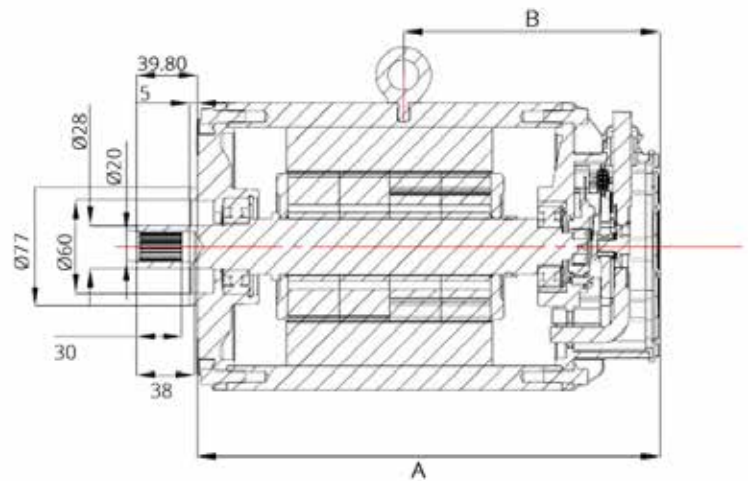
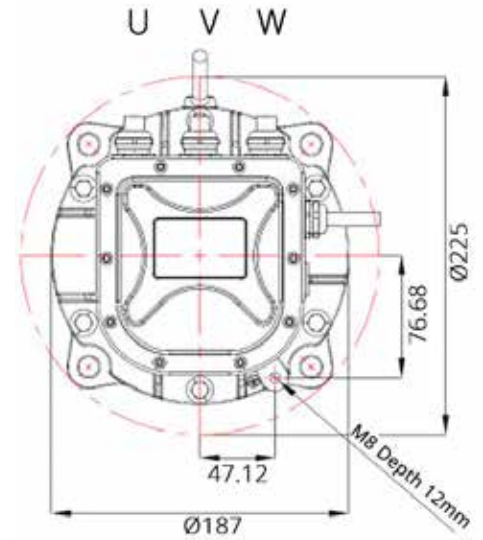
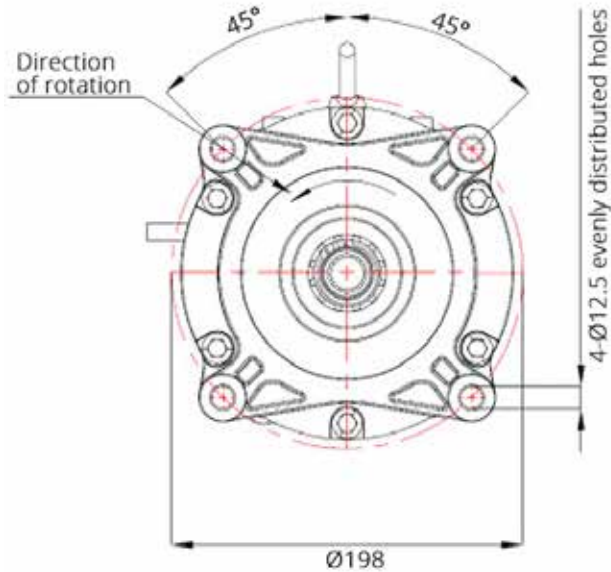
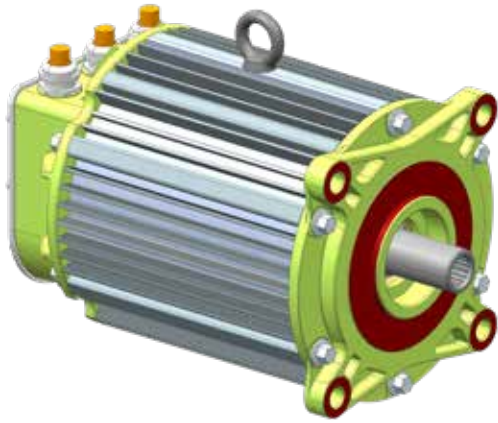
Low voltage platform (72V, 96V, 115V)



Voltage (V)	Peak Power (kW)	Peak Current (A)	Rated Power (kW)	Rated Current (A)	Heat Dissipation Orientation
72	14	180	6	75	Horizontal / Vertical
72	28	350	10.5	150	Horizontal / Vertical
96	30	350	14	150	Horizontal / Vertical
115	36	280	16	130	Horizontal / Vertical

# Natural Air Cooling Motor

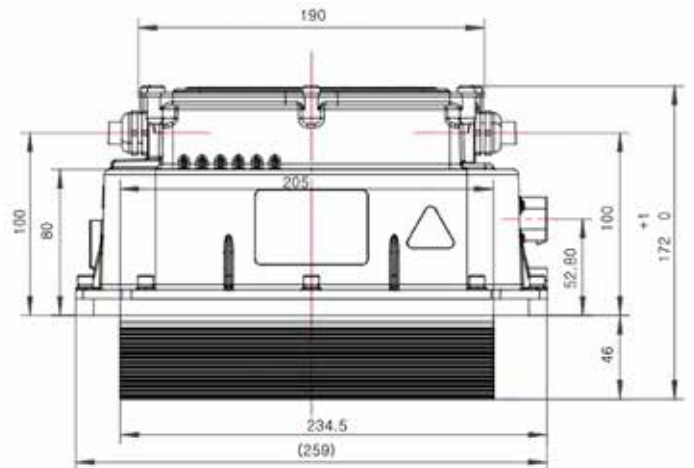
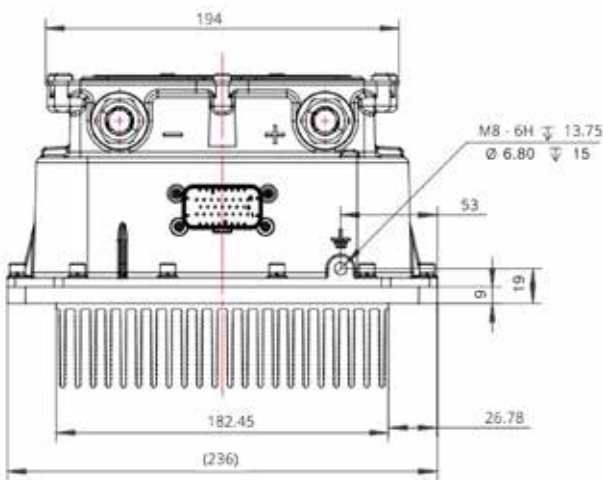
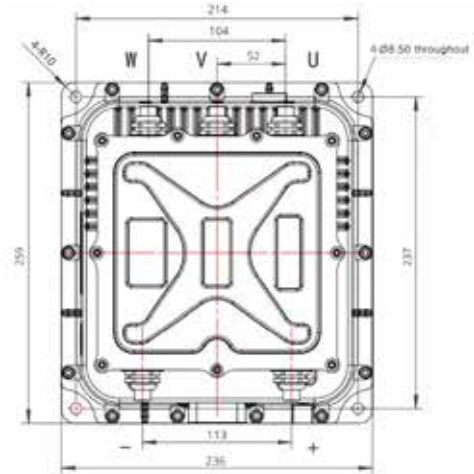
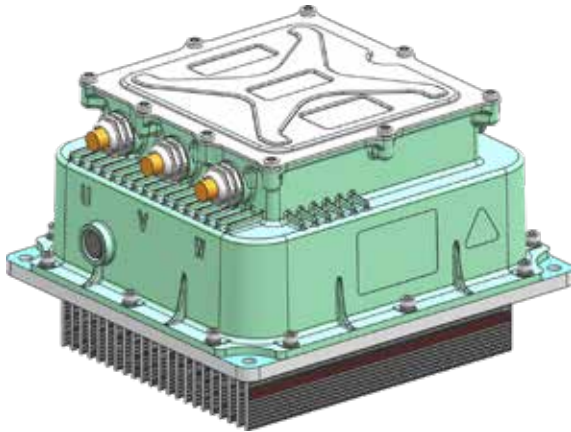
Medium and high voltage platform (350V)



Voltage (V)	Peak Power (kW)	Peak Torque (Nm)	Rated Power (kW)	Rated Torque (Nm)	Max. Speed (RPM)	Size (mm)	
						A	B
350	30	140	18	48	8000	302	167

# Natural Air Cooling Motor Controller

Medium and high voltage platform (350V)

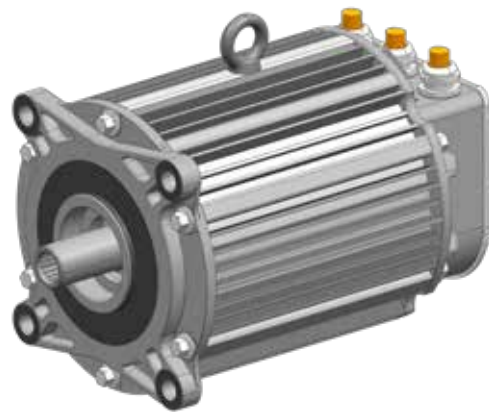
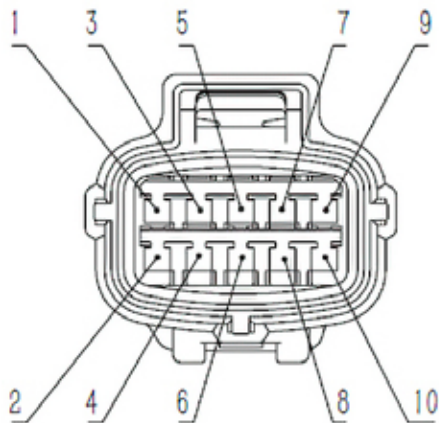


Voltage (V)	Peak Power (kW)	Peak Current (A)	Rated Power (kW)	Rated Current (A)	Heat Dissipation Orientation
350	50	150	21	60	Horizontal / Vertical

# Natural Air Cooling Motor

Interface information (customizable according to requirements)

## Weak Current Signal Interface



## Spline Parameter

Connector : AMP2822395-1		
PIN	Color	Define
1	Yellow	Resolver EXC+
2	Brown	Resolver EXC-
3	Red	Resolver COS+
4	Black	Resolver COS-
5	Orange	Resolver SIN+
6	Blue	Resolver SIN-
7	Sky blue	NTC
8	Pink	NTC
9	Shield layer	GND
10	/	/

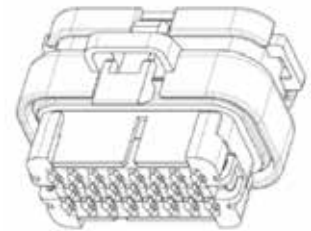
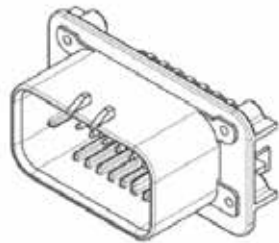
JIS D 2001-1959A		
Number of teeth	Z	18
Module of gear	m	1
Normal pressure angle	an	20°
Addendum coefficient	ha*	1
Reference diameter	d	18
Profile shift coefficient	x	0.8
Tip diameter	da	17.8 <sup>+0.12</sup> <sub>0</sub>
Root diameter	df	20 <sup>+0.12</sup> <sub>0</sub>
Theoretical diameter of ball	D	2
Diametral measurement	Mri	16.181 (max)
		16.067 (min)

# Controller

Interface information (customizable according to requirements)

Controller End

Wire Harness End

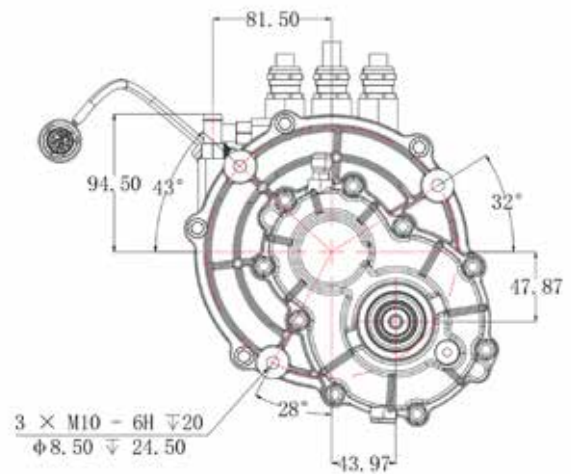
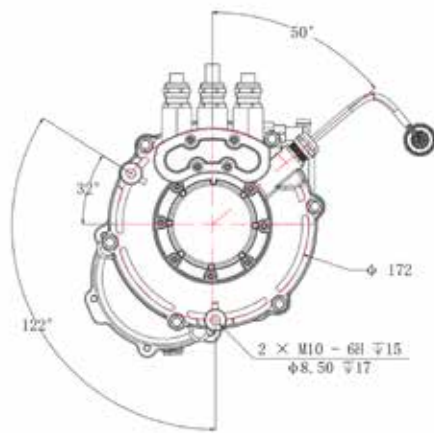
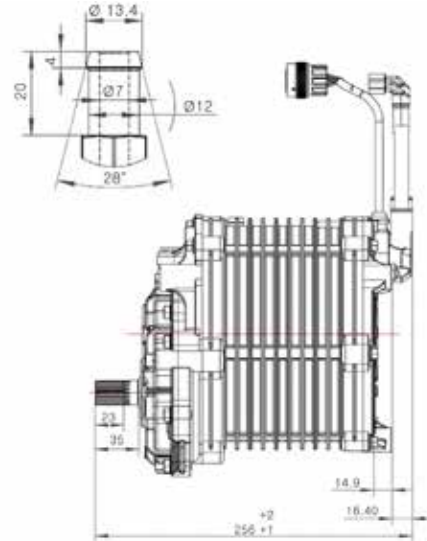


PIN	Signal definition	Typical voltage range (V)	Recommended cross-sectional area of wire (mm <sup>2</sup> )
1	Battery positive pole	9-16	1
4	Motor NTC positive	0-5	0.5
5	Rotary transformer COS_ N	0.8-3.7	0.5
6	Rotary transformer SIN_ N	0.8-3.7	0.5
8	Communication CANH	2.75-4.5	0.5
9	KL15 wake up signal	9-16	0.5
11	Motor NTC negative	0	0.5
13	Rotary transformer COS_ P	0.8-3.7	0.5
14	Rotary transformer SIN_ P	0.8-3.7	0.5
15	Communication CANL	0.5-2.25	0.5
20	Rotary transformer EXC_ N	9-20	0.5
21	Rotary transformer EXC_ P	9-20	0.5
22	Battery negative electrode	0	1
23	Rotary transformer shielding ground	0	



# Water Cooling Motor

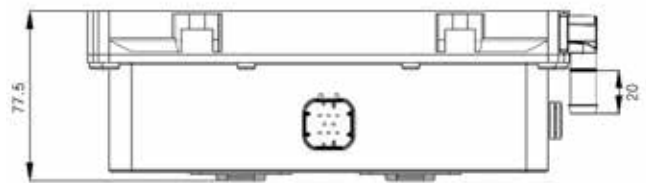
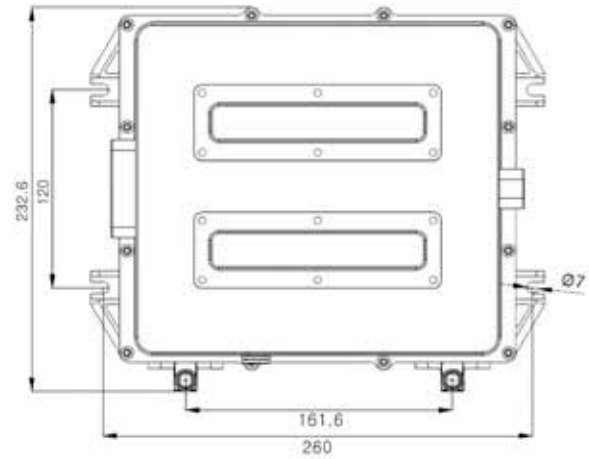
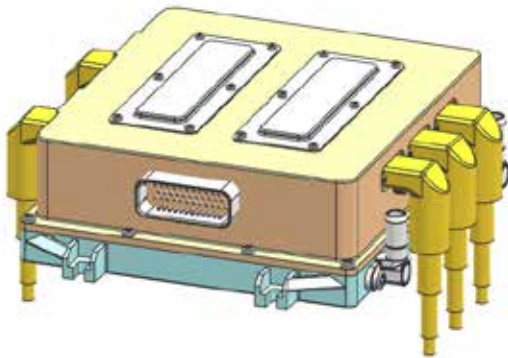
Medium and high voltage platform (350V)



Voltage (V)	Peak Power (kW)	Peak Torque (Nm)	Rated Power (kW)	Rated Torque (Nm)	Max. Speed (RPM)
115	25	65	12	13	12000
350	30	60	11	17.5	10000

# Water Cooling Motor Controller

Low pressure/medium high pressure



Voltage (V)	Peak Power (kW)	Peak Current (A)	Rated Power (kW)	Rated Current (A)	Remark
115	36	300	16	130	MOSFET
350	50	150	21	60	EconPack

## Electric Motorbikes

**VOLTA**  
Urbano



## RIFT EV Motors (12 -115V)



## 3D Drawings



## Youtube Videos



Power By

**DINGS**  
Precision Motion Specialist

**MOTION**  
CONTROL PRODUCTS

### Motion Control Products Ltd.

11-15 Francis Avenue  
Bournemouth, Dorset, UK, BH11 8NX

Tel.: +44 (0)1202 599922  
enquiries@motioncontrolproducts.com  
[www.motioncontrolproducts.com](http://www.motioncontrolproducts.com)

## ABOUT US

At Motion Control Products, we are at the forefront of the automation and automotive industry, partnering with RIFT Automotive & Dings Motion to introduce the world to our cutting-edge EV motor powertrain and electric motorbikes.

Our collaboration harnesses the power of patented RIFT Technology to engineer electric motors that are reshaping the automotive sector while propelling sustainability and innovation. Our robust EV motors deliver substantial energy savings, making them a sustainable and eco-friendly choice for the automotive sector.

Our mission is to become an innovative Electric Vehicle (EV) e-motor solutions provider to the global automotive market within the next 10 years. We are not just manufacturing motors; we are propelling innovation and sustainability. Our technology is leading the way to a greener, smarter, and more sustainable future of mobility. We believe in a world where electric vehicles are not just an option but a necessity.

- Motion Control Products Ltd. reserves the right to make changes without further notification to any products herein to improve the specifications, functions or design.
- Copyright 2023 Motion Control Products Ltd. Brochure version ref. V2023-1127