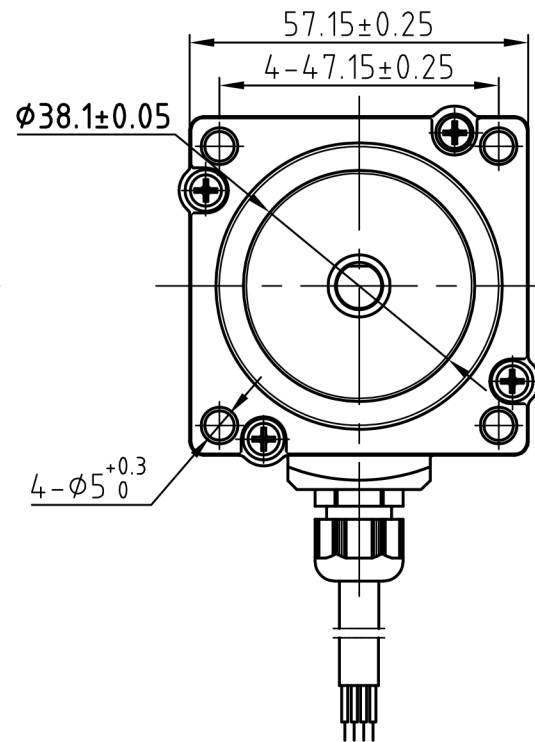
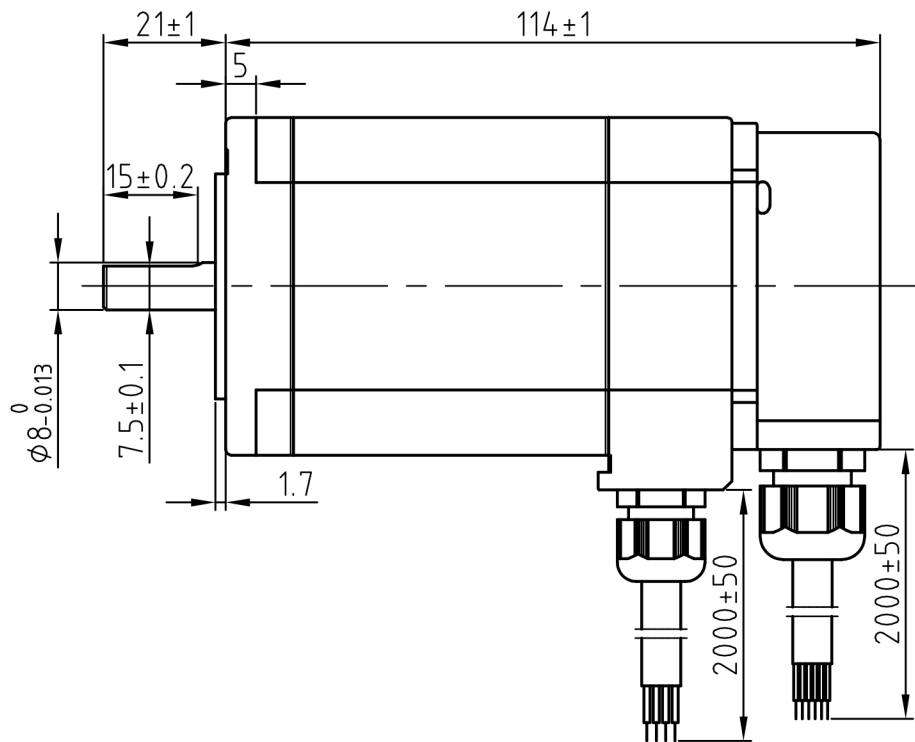
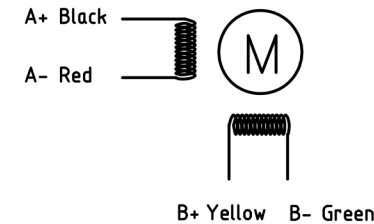


Dimension: (Unit: mm)



Rev.	Date	ECN NO.	Revisions	By
V1.0	17.10.30		IP65	

**Motor Connctions:**



**Encoder Signals**

Color	YEL	GRN	BLU	BRN	RED	WHT
Define	EB+	EB-	EA+	EA-	VCC	GND

**Common Rating**

Step angle	1.8°
Position accuracy	1.8±0.09°
Dielectric strength	500VAC 1min
Insulation resistance	100MΩ(500VDC)
Insulation class	B
Protection Level	IP65
Temp rise(Max)	80K
Radial play	Max.0.02mm(Load 450g)
Axial play	Max.0.08mm(Load 900g)

**Motor Specification:**

Current/phase	4.0 A
Voltage	2.72 V
DC Resistance/phase ±10%	0.68 Ω
Inductance/phase ±20%	2.0 mH
Holding torque	2.3 N·M
Inertia	0.48 kg·cm <sup>2</sup>
Weight	1.2 kg
Encoder Resolution	1000 ppr (4000 cpr)

Designed		Date	2017.10.30		Motion Control Products Ltd. 11-15 Francis Avenue, Bournemouth Dorset, UK, BH11 8NX Tel.: +44 (0)1202 599922 enquiries@motioncontrolproducts.com www.motioncontrolproducts.com		
Checked		Date	2017.10.30			First Angle projection	Title Closed-loop Stepper Motor with IP65
Approved		Date	2017.10.30			Weight    Scale    Stage Mark	CS-M22323WP
Part No.		Sheet 1 of 1		DWG. NO.	LS-CME57-03-0310-04		